

# RT SERIES

ROUGH TERRAINS SCISSOR LIFTS



## Performance

Platform Height—Elevated 4394RT	43 ft	13.11 m
Platform Capacity 4394RT/530LRT	1,500 lb	680 kg
Capacity on Platform Extension Capacity with Dual Extensions 4394RT	500 lb 1,250 lb	227 kg 567 kg
Lift/Lower Time 4394RT	40/43 seconds	
Maximum Drive Height 3394RT/4394RT	Full Height	
Weight w/One Extension* 4394RT	15,300 lb	6,940 kg
Ground Bearing Pressure 4394RT	83 psi	5.8 kg/cm <sup>2</sup>
Drive Speed 3394RT/4394RT	4.0 mph	6.4 km/h
Gradeability 3394RT/4394RT	45%	
Turning Radius (Inside) 3394RT/4394RT	8 ft 10.5 in.	2.71 m
Turning Radius (Outside) 3394RT/4394RT	19 ft 5.5 in.	5.93 m

\* Certain options or country standards will increase weight.

## Standard Specifications

### Engine

Make and Model Dual Fuel (Water-Cooled) 3394RT/4394RT	GM Vortec 3000 MPFI 82 hp 61 kW
Diesel Fuel (Air-Cooled) 3394RT/4394RT	Deutz D2011L03 48.8 hp 36.4 kW
Fuel Tank Capacity 3394RT/4394RT	30 gal. 113.56 L



### Tires

Standard 3394RT/4394RT	33 x 15.5 Superwide
---------------------------	---------------------

### Brakes

• 4 Wheel	Spring Applied
-----------	----------------

### Hydraulic Reservoir

• Capacity	32 gal.	121.42 L
------------	---------	----------

## Standard Features

- 4-Wheel Drive
- Automatic Transmission
- Three-Speed Drive Select
- Proportional Drive/Lift Up/Lift Down
- Oscillating Axle
- 86 x 150 in. (2.18 x 3.81 m) Platform<sup>1</sup>
- 4 ft (1.22 m) Manual Deck Extension
- Aluminum Deck with Grip Strips<sup>2</sup>
- 110V-AC Receptacle in Platform
- 73.5 x 156 in. (1.87 x 3.96 m) All-Steel Platform<sup>3</sup>
- Adjustable, Removable Platform Control Station
- On-Board Diagnostics at Platform and Ground Control<sup>2</sup>
- Fuel Gauge in Platform<sup>2</sup>
- Fold-Down Handrails
- Horn
- Tilt Light and Alarm
- Manual Descent<sup>2</sup>
- All Motion Alarm

1. Standard on 530LRT

3. Only available on 530LRT

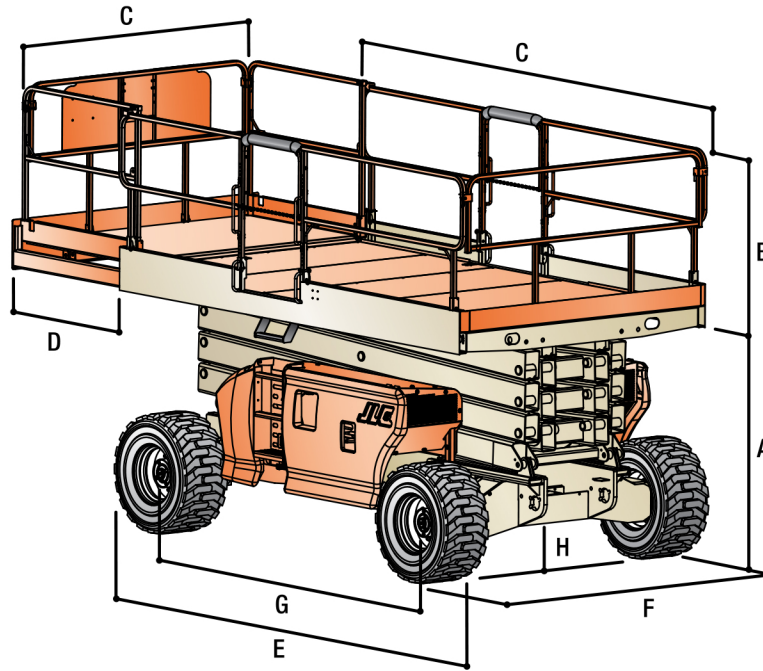
# RT SERIES

ROUGH TERRAINS SCISSOR LIFTS



## Dimensions

All dimensions are approximate.



Platform Height — Elevated 4394RT	43 ft	13.11 m	E. Overall Length 3394RT/4394RT	12 ft 8 in.	3.86 m
A. Platform Height — Lowered 4394RT	5 ft 10.4 in.	1.79 m	F. Overall Width 3394RT/4394RT	7 ft 10 in.	2.39 m
B. Platform Railing Height 3394RT/4394RT	3 ft 7.5 in.	1.1 m	G. Wheelbase 3394RT/4394RT	9 ft 8 in.	2.95 m
C. Platform Size 3394RT/4394RT	86 x 150 in.	2.18 x 3.81 m	H. Ground Clearance	12 in.	30 cm
D. Platform Extension	4 ft	1.22 m			



## The JLG "1 & 5" Warranty

JLG Industries, Inc. backs its products with its exclusive "1 & 5" Warranty. We provide coverage on all products for one (1) full year, and cover all specified major structural components for five (5) years. Due to continuous product improvements, we reserve the right to make specification and/or equipment changes without prior notification. This machine meets or exceeds applicable OSHA Regulations in 29 CFR 1910.67, 29 CFR 1926.453, ANSI A92.5-2006, and CSA Standard CAN3-B354.2-M82, as originally manufactured for intended applications.

Part No.: 3131581  
R091507  
Printed in USA

**JLG Industries, Inc.**  
1 JLG Drive  
McConnellsburg, PA 17233-9533  
Telephone 717-485-5161  
Toll-free in US 877-JLG-LIFT  
Fax 717-485-6417  
[www.jlg.com](http://www.jlg.com)

**An Oshkosh Corporation Company**