

TOW-PRO® SERIES

TRAILER MOUNTED BOOM LIFTS



Performance

Platform Height T350	34 ft 5 in.	10.5 m
Horizontal Outreach Working Outreach T350	20 ft 2 in.	6.15 m
Centerline to Platform Edge T350	18 ft 9.5 in.	5.7 m
From Outrigger Pad Edge T350	13 ft 6 in.	4.11 m
Up and Over Height T350	15 ft	4.57 m
Swing	410 Degrees Non-Continuous	
Platform Capacity	500 lb	227 kg
Platform Capacity w/Rotator	440 lb	200 kg
Material Hook Capacity	500 lb	227 kg
Platform Rotator (Optional)	90 Degrees Manual	
Weight T350	3,400 lb	1,542 kg
Leveling Capability	11 Degrees	
Towing Speed Rating	65 mph	105 kmph
Tongue Weight T350	242 lb	110 kg

Standard Specifications

Power Source

DC Power	24V DC
Batteries	4 x 6V 220 amp-hr
Gasoline Engine (Optional)	Honda GX 270—9 hp

Tires

- T350 205/75 R14 Pneumatic

Standard Features

- Telescopic Upper Boom
- 4 ft (1.22 m) Jib (T500J Only)
- Platform, Side Entry: 30 x 48 in. (0.76 x 1.22 m)
- Proportional Controls
- 110V-AC Receptacle in the Platform
- Auto-Leveling Hydraulic Outriggers
- Motion Alarm
- Tilt Alarm/Indicator Light
- Hourmeter
- Four 6V 220 Amp-Hour Batteries
- Battery Condition Indicator
- Parking Brake
- 2 in. Hitch with Adjustable Height Coupler
- Standard Air and Water Lines to Platform



Accessories & Options

- Platform Rotator
- Material Hook—500 lb (227 kg) Capacity
- Drive and Outrigger Set
- Platform Mounted Glass/Panel Tray
- Non-Marking Outrigger Pads
- Full-Size Spare Tire
- Flashing Amber Beacon
- 3000 Watt Honda Generator

TOW-PRO® SERIES

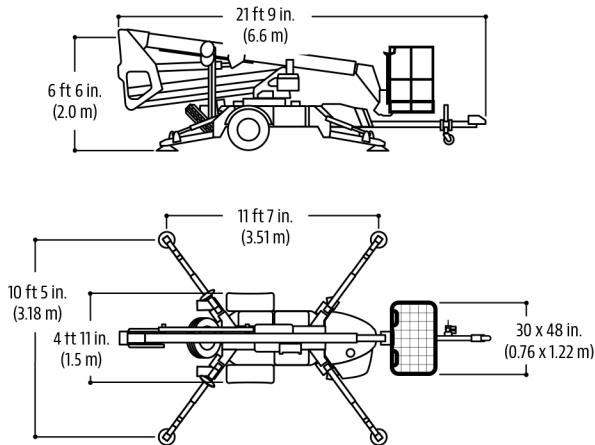
TRAILER MOUNTED BOOM LIFTS



Dimensions

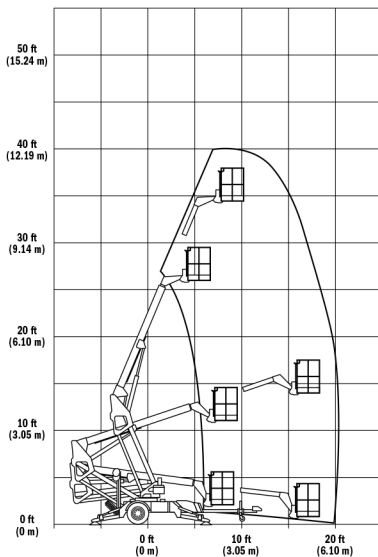
All dimensions are approximate.

T350



Reach Dimensions

T350



The JLG "1 & 5" Warranty

JLG Industries, Inc. backs its products with its exclusive "1 & 5" Warranty. We provide coverage on all products for one (1) full year, and cover all specified major structural components for five (5) years. Due to continuous product improvements, we reserve the right to make specification and/or equipment changes without prior notification. This machine meets or exceeds applicable OSHA Regulations in 29 CFR 1910.67, 29 CFR 1926.453, ANSI A92.5-2006, and CSA Standard CAN3-B354.2-M82, as originally manufactured for intended applications.

Part No.: 3133001
R071407
Printed in USA



JLG Industries, Inc.
1 JLG Drive
McConnellsburg, PA 17233-9533
Telephone 717-485-5161
Toll-free in US 877-JLG-LIFT
Fax 717-485-6417
www.jlg.com

An Oshkosh Corporation Company