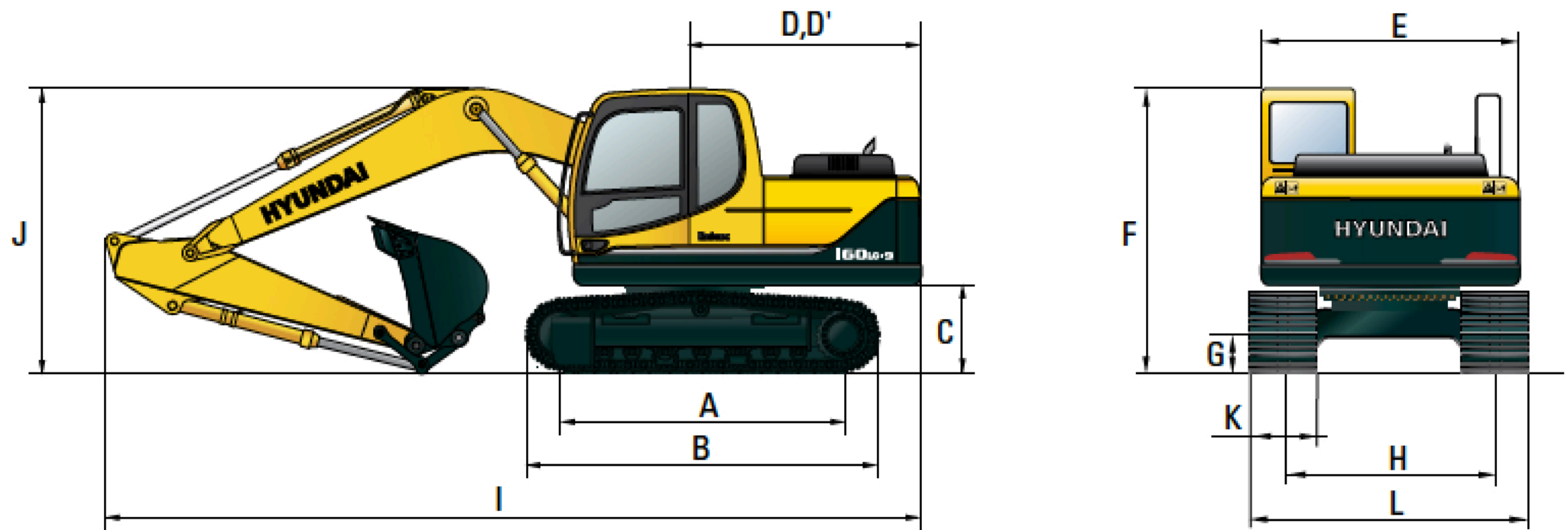


# Dimensions & Working Range

## R160LC-9 DIMENSIONS



mm (ft-in)

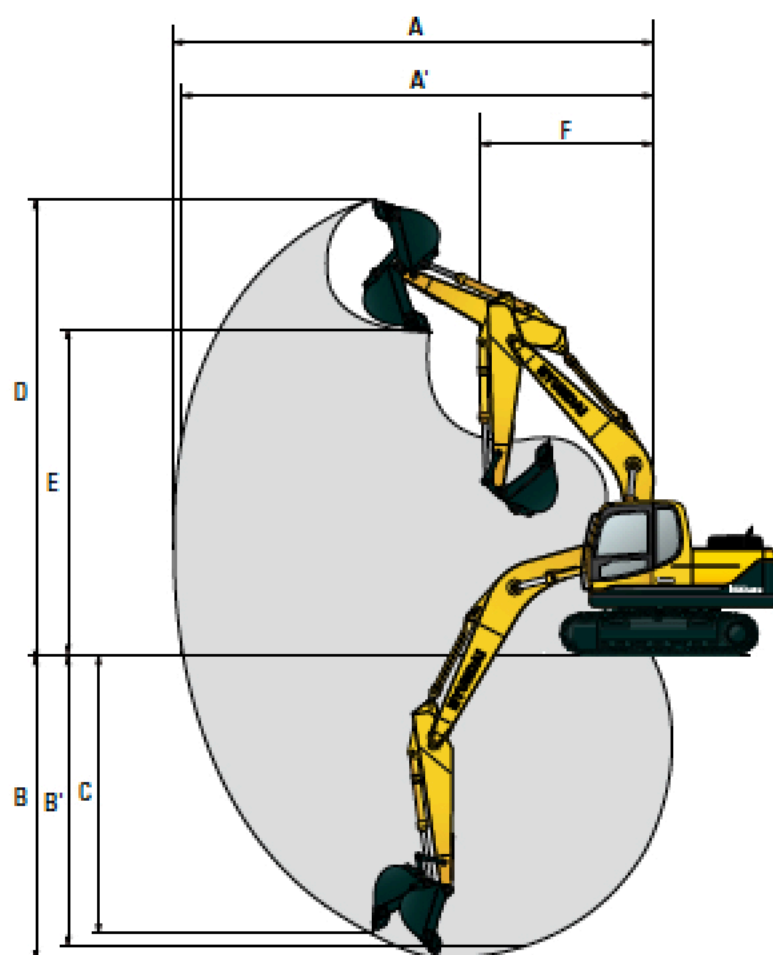
A	Tumbler distance	3,170 (10' 5")
B	Overall length of crawler	3,960 (13' 0")
C	Ground clearance of counterweight	1,055 (3' 6")
D	Tail swing radius	2,530 (8' 4")
D'	Rear-end length	2,480 (8' 2")
E	Overall width of upperstructure	2,475 (8' 1")
F	Overall height of cab	2,980 (9' 9")
G	Min. ground clearance	460 (1' 6")
H	Track gauge	1,990 (6' 6")

mm (ft-in)

Boom length	5,100 (16' 9")			
Arm length	2,200 (7' 3")	2,600 (8' 6")	3,100 (10' 2")	
I	Overall length	8,660 (28' 5")	8,650 (28' 5")	8,650 (28' 5")
J	Overall height of boom	3,010 (9' 11")	2,990 (9' 10")	3,150 (10' 4")
K	Track shoe width	500 (20")	600 (24")	700 (28")
L	Overall width	2,490 (8' 2")	2,590 (8' 6")	2,690 (8' 10")

## R160LC-9 WORKING RANGE

mm (ft-in)



Boom length	5,100 (16' 9")			
Arm length	2,200 (7' 3")	2,600 (8' 6")	3,100 (10' 2")	
A	Max. digging reach	8,690 (28' 6")	9,020 (29' 7")	9,450 (31' 0")
A'	Max. digging reach on ground	8,530 (27' 12")	8,860 (29' 1")	9,300 (30' 6")
B	Max. digging depth	5,660 (18' 7")	6,060 (19' 11")	6,560 (21' 6")
B'	Max. digging depth (8' level)	5,430 (17' 10")	5,850 (19' 2")	6,370 (20' 11")
C	Max. vertical wall digging depth	5,120 (16' 10")	5,380 (17' 8")	5,710 (18' 9")
D	Max. digging height	8,750 (28' 8")	8,840 (29' 0")	8,980 (29' 6")
E	Max. dumping height	6,110 (20' 1")	6,220 (20' 5")	6,390 (21' 0")
F	Min. swing radius	3,180 (10' 5")	3,170 (10' 5")	3,170 (10' 5")